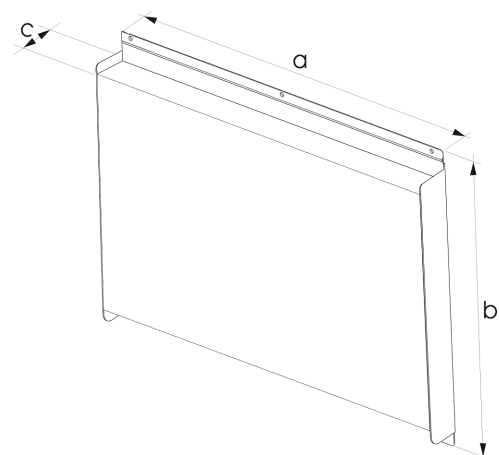


TECHNICAL DATA

DB 891	
Product Type	Compact embedded box PC
General characteristics	
Processor	Intel Celeron Quad Core J1900 2.0 GHz with 2M L2 Cache -- FANLESS
Chipset	Intel Gen 7 Graphics Engines
Memory	Dual channel DDR3L 1066/1333MHz SDRAM UP to 8GB
Expansion slots	1 x PCI Express x1 (riser card optional) 1 x colay H/S MiniPCle
Power Supply	90 - 260 VAC fanless 10 - 36 VDC fanless optional
Power consumption	20 W
Guarantee	24 Months ¹
Operating Systems	
Operating systems	Windows Embedded Standard 7 Windows Embedded 8 Standard Windows 10 IoT
Available Disc Space	30 GB
Drives	
Mass Memory	mSata 60GB
Optical Drives	optional DVD/CD-RW drive, rear side operation
Additional Drives	Compact Flash Reader, optional
Interfaces	
LAN/Ethernet	2 x Realtek PCIe Gigabit ethernet controller onboard
USB	5 x USB2.0 (3 x ext.) 1 x USB3.0 (1 x ext.)
Serial Interface	5 x RS-232 (5 x int), 1 x RS-232/422/485 (int)
Keyboard/Mouse	USB
Video	1 x VGA Supports up to 2560 x 1600
Multimedia	Realtek ALC892 Audio Codec
Other Interfaces	GPIO 8-bit (int)
Watchdog Functions	
CPU Temperature	Surveillance onboard
Ambient Conditions	
Vibration resistance	15G
Shock resistance	50G
EMC	EN 55011, 55022, 500081
Temperature	+5°C to +45°C max.
Relative humidity	5% to 80% at 25°C (no humidity/condense)
Authorization	CE
Mechanical Characteristics	
PC Unit	Powder coated, EMC proofed



Dimensions [mm]	
a:	368
b:	289
c:	80
Weight	ca. 6 kg



¹ warranty ex works, normally 24 months, fixed at order.
All data refer on print date, errors and changes excepted

HIGHLIGHTS

- 2 expansion slots
- CD/DVD drive available
- Low mounting depth
- Low power requirements
- INTEL ATOM processor
- Fanless, passive air conduction
- Motionless, no moving parts
- LookIn Display available



DB 891 CONFIGURATION

MONITOR

no configuration
LookIn Display

PROCESSORA

Intel Celeron Quad Core J1900 2.0 GHz

MEMORY

2 GB
4 GB ³
8 GB ³

STORAGE

Flash Memory SLC 4 GB
Flash Memory SLC 8 GB
Flash Memory SLC 16 GB
Flash Memory MLC 32 GB ⁴
Flash Memory MLC >=60 GB ⁴

DRIVES

No drives
CFC-Adapter on slot
COMBO DVD/CD ROM R/W, slim Drive
COMBO DVD/CD ROM R/W, slim Drive + CFC-Adapter
PCIe flexible riser card on slot 2,3

POWER

110/230 VAC, auto-switch fanless
9 - 28 VDC fanless

FRONT

no configuration

OPERATING SYSTEM

Microsoft WE7E English - min. 8 GB Storage
Microsoft WE7P MUI - min. 16 GB Storage
Microsoft WE8S - min. 60 GB Storage ³
Microsoft Windows 10 IoT - min. 60 GB Storage ³

1	2	3	4	5	6	7	8
---	---	---	---	---	---	---	---

0							
L							

	3						
--	---	--	--	--	--	--	--

		5					
		6					
		7					

			6				
			7				
			8				
			9				
			X				

				0			
				1			
				3			
				5			
				6			

					1		
					2		

							0
--	--	--	--	--	--	--	---

							T
							U
							V
							Q

YOUR ORDER CODE: DB 891

							0
--	--	--	--	--	--	--	---

NOTES:

- ³ Only on Celeron J1900
- ⁴ SLC Drive on request

LookIn Display is situated on the top of the box and allows to check the status and control the settings of your DIVUS BOX PC. View CPU performance, change IP settings and more on the fly without a monitor, keyboard or mouse attached.