

# DIVUS CIRCLE/SQUARE small C\*

DIVUS CIRCLE small C-DN  $\varnothing$  140mm



DIVUS SQUARE small C-SG 140 \* 140 mm



---

CORIAN<sup>®</sup> OPAQUE SURFACES

Deep Nocturne

Designer White

Silver Gray

DATASHEET: NOV. 2021

DIVUS CIRCLE small Corian<sup>®</sup> | DIVUS SQUARE small CORIAN<sup>®</sup>

# DIVUS CIRCLE/SQUARE small C\*

OUTDOOR INTERCOM STATION FOR WALL MOUNT

TECHNICAL DATA

	DIVUS CIRCLE small CORIAN <sup>(R)</sup>	DIVUS SQUARE small CORIAN <sup>(R)</sup>
--	--	--


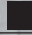




**FUNCTIONALITIES**

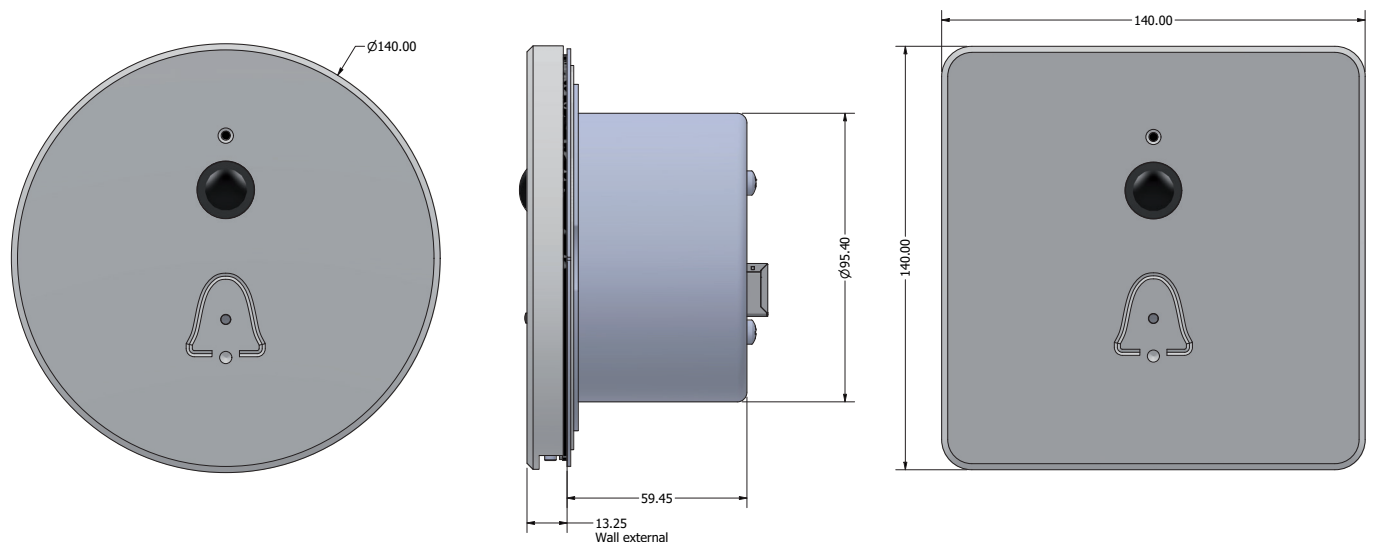
Main functions	Voice communication over SIP/VoIP IP cam video streaming via RTSP/SIP Optional: RFID reader (opens door over card / badge)
----------------	--

**DIMENSIONS**

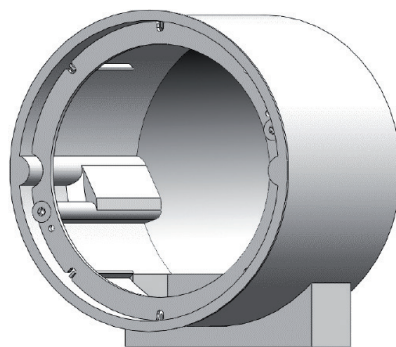
DIVUS CIRCLE/SQUARE small C	CORIAN <sup>(R)</sup> external diameter: 140 mm Depth (protruding from wall): 12 mm	CORIAN <sup>(R)</sup> square format: 140 * 140 mm Depth (protruding from wall): 12 mm
-----------------------------	--	--

**VERSIONS AND COLORS OF CORIAN<sup>(R)</sup> OPAQUE SURFACE**

Deep Nocturne		CIRCLE small C-DN		SQUARE small C-DN
Designer White		CIRCLE small C-DW		SQUARE small C-DW
Silver Gray		CIRCLE small C-SG		SQUARE small C-SG



Wall mounting box (flush)	Depth: 91 mm Diameter-box bottom: 119 mm
---------------------------	---



# DIVUS CIRCLE/SQUARE small C\*

## OUTDOOR INTERCOM STATION FOR WALL MOUNT TECHNICAL DATA

	DIVUS CIRCLE small CORIAN (R)	DIVUS SQUARE small CORIAN (R)
<b>DESIGN</b>		
	Compact device for wall mount; noiseless and without any rotating part, low power consumption. CIRCULAR surface in CORIAN <sup>®</sup> in opaque colors black, white and grey Aluminium back case	Compact device for wall mount; noiseless and without any rotating part, low power consumption. SQUARE surface in CORIAN <sup>®</sup> in opaque colors black, white and grey Aluminium back case
Housing	Metal barrel for flush-mounting	
Protection	IP54 in conjunction with suitable housings / no direct sunlight	
<b>ENVIRONMENT CONDITIONS</b> (in protected outdoor areas)		
Temperature	-15°C to +40°C max.	
Relative humidity	15% to 80%	
<b>POWER SUPPLY VOLTAGE</b>		
Power Supply Voltage	24/48 VDC (min 1,6A/min.0,8 A) / PoE+	
Current ratings - max:	200 mA @ 48 VDC	
Current ratings - idle:	90 mA @ 48 VDC	
<b>CONNECTIVITY</b>		
	1x RJ45 ethernet 1x RS485 serial interface (connects to the I/O-MODULE)	
<b>CAMERA</b>		
Sensor	1/3 CMOS sensor	
Resolution	1920x1080. 1-25 fps	
Lens	Wide-angle fish-eye lens; 1,7 mm, f 1/2,5"	
Coding Format	H.264	
<b>AUDIO</b>		
Inout/output	Microphone and loudspeaker (3W)	
Built-in functions	Acoustic echo cancelling, full duplex	
<b>RFID (OPTIONAL)</b>		
Standard	Mifare / ISO 14443A	
Frequency	13,56 MHz	
<b>STANDARDS</b>		
	CE conformity	
<b>OUTPUTS</b>		
	Through I/O module (see separated data sheet) or with internal relay output	
<b>VISUAL / INTERACTION</b>		
Status	Status LED front side	
Touch	Capacitive ring button	

# DIVUS I/O MODULE

FOR DIVUS CIRCLE AND DIVUS CIRCLE/SQUARE small

## TECHNICAL DATA

### I/O MODULE

#### CHARACTERISTICS

The I/O module can control external loads such as electric locks (variable load between 250 mA and 1.5A at 12-24V) and standard lightings (12 - 220V). The module is connected via RS 485 to the master DIVUS CIRCLE or CIRCLE small device and is able to execute the commands programmable on the CIRCLE device.

#### HARDWARE DESCRIPTION

#### SPECIFICATION

POWER SUPPLY	12-50 V DC 12-35 V AC
OPERATING TEMPERATURE RANGE	-20°C ÷ 70°C

#### CONNECTIVITY

RS 485	Max. distance 1km Max Bit rate: 115200 bps Terminal resistance settable via switch
--------	--

#### INPUTS/OUTPUTS

DIGITAL INPUTS	Amount: 4 optoisolated Input type: NPN Type of connection: open-drain, com to GND
OUTPUTS	Amount: 2 Output voltage: 12/24 V DC settable depend on supply voltage board Maximum current deliverable: 1,5 A (total)
RELAYS	Amount: 2 Maximum current: 6A resistive load Maximum tension: 250 VAC, 25 VDC Form C relays are SPDT and break the connection with one throw before making contact with the other (break-before-make)

# DIVUS I/O MODULE

FOR DIVUS CIRCLE AND DIVUS CIRCLE/SQUARE Small

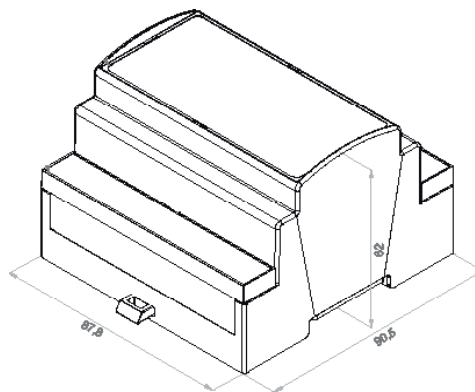
TECHNICAL DATA

I/O MODULE

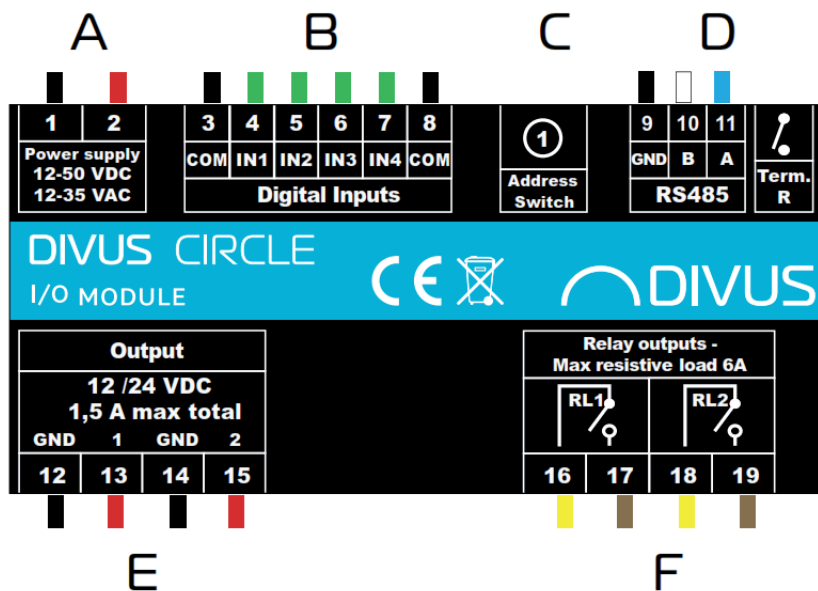
MECHANICAL DESCRIPTION

DIN RAIL MOUNTING BOX

The container for electronic instruments that can be hooked onto the DIN rail (EN60715) has been chosen according to DIN 438880 standards, as shown in the figure. It's a 5 modules unit.



CONNECTION DETAILS



- A. Power supply (reversible)
- B. 4 digital inputs
- C. Rotary switch for modbus address
- D. RS-485 - FTP AWG20/24 cable (Connect the cable shield to GND pin)
- E. 2 Programmable outputs 12/24 VDC (max. 1.5 A total) on both ports
- F. 2 Relay outputs to connect light, FCU, roller shutter motors, any other controlled load