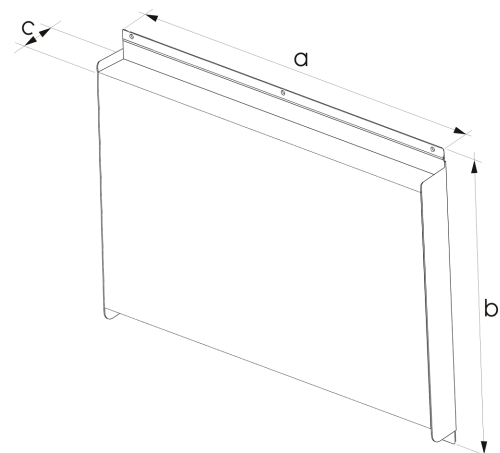


TECHNICAL DATA

DB 691	
Product Type	Compact embedded box PC
General characteristics	
Processor	Intel Celeron Quad Core J1900 2.0 GHz - 2MB L2 cache -- FANLESS
Chipset	Intel Gen 7 Graphics Engines
Memory	Dual channel DDR3L 1066/1333 MHz SDRAM UP to 8GB
Expansion slots	1 x PCI Express x1 (riser card optional) 1 x colay H/S MiniPCIe
Operating systems	Microsoft Windows 7/8/10
Power Supply	90 - 260 VAC fanless
	10 - 36 VDC fanless optional
Power consumption	20 W
Guarantee	24 Months ¹
Drives	
Mass Memory	2,5" HDD >= 60 GB (optional Flash Disk)
Optical Drives	optional CD-Rom or DVD/CD-RW drive, rear side operation
Additional Drives	Compact Flash Reader, optional
Interfaces	
LAN/Ethernet	2 x PCIe Gigabit ethernet controller onboard
USB	5 x USB2.0 (3xext, 2xint) 1 x USB3.0 (ext)
Serial Interface	5 x RS-232 (5 x int), 1 x RS-232/422/485 (int)
Keyboard/Mouse	via USB
Video	1 x VGA Supports up to 2560 x 1600
Multimedia	Realtek ALC892 Audio Codec
Other Interfaces	8 bit GPIO (int)
Watchdog Functions	
CPU Temperature	Surveillance onboard
Ambient Conditions	
Vibration resistance	15G
Shock resistance	50G
EMC	EN 55011, 55022, 500081
Temperature	+5°C to +45°C max.
Relative humidity	5% to 80% at 25°C (no humidity/condense)
Authorization	CE
Mechanical Characteristics	
PC Unit	Powder coated, EMC proofed



Dimensions [mm]	
a:	368
b:	289
c:	80
Weight	ca. 6 kg



¹ warranty ex works, normally 24 months, fixed at order.
All data refer on print date, errors and changes excepted

HIGHLIGHTS

- 2 expansion slots
- CD/DVD drive available
- Low mounting depth
- Low power requirements
- Intel® ATOM processor
- Fanless, passive air conduction
- LookIn Display available



DB 691 CONFIGURATION

no configuration
LookIn Display
PROCESSOR
Intel® Celeron Quad Core Processor J1900 2.0GHz
MEMORY
2 GB
4 GB ³
8 GB ³
STORAGE
HDD 2.5" min 60 GB
MLC Flash drive 40GB ⁴
DRIVES
No drives
CFC-Adapter on slot
COMBO DVD/CD ROM R/W, slim Drive
COMBO DVD/CD ROM R/W, slim Drive + CFC-Adapter
PCIe flexible riser card on slot ³
POWER
110/230 VAC, auto-switch fanless
9 - 28 VDC fanless
FRONT
no configuration
OPERATING SYSTEM
Microsoft Windows 7 Prof. English
Microsoft Windows 7 Ult. MUI
Microsoft Windows 8 ³
Microsoft Windows 10 ³
No operating System

1	2	3	4	5	6	7	8
---	---	---	---	---	---	---	---

0							
L							

3							
---	--	--	--	--	--	--	--

		5					
		6					
		7					

			1				
			x				

				0			
				1			
				3			
				5			
				6			

						1	
						2	

							0
--	--	--	--	--	--	--	---

							M
							O
							P
							Q
							0

YOUR ORDER CODE: DB 691

							0
--	--	--	--	--	--	--	---

NOTES:

- ³ Only on Celeron J1900
- ⁴ SLC Drive available upon request

LookIn Display is situated on the top of the box and allows to check the status and control the settings of your DIVUS BOX PC. View CPU performance, change IP settings and more on the fly without a monitor, keyboard or mouse attached.

